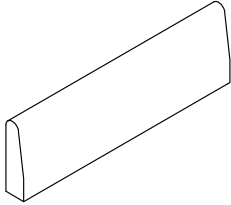
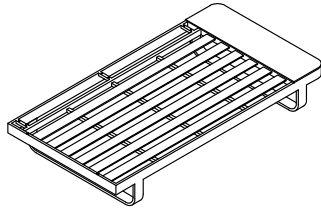


ASSEMBLY OF 2-SEATER (LEFT)

A x1



B x1



C x6

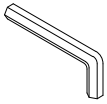


1/4" x 40mm

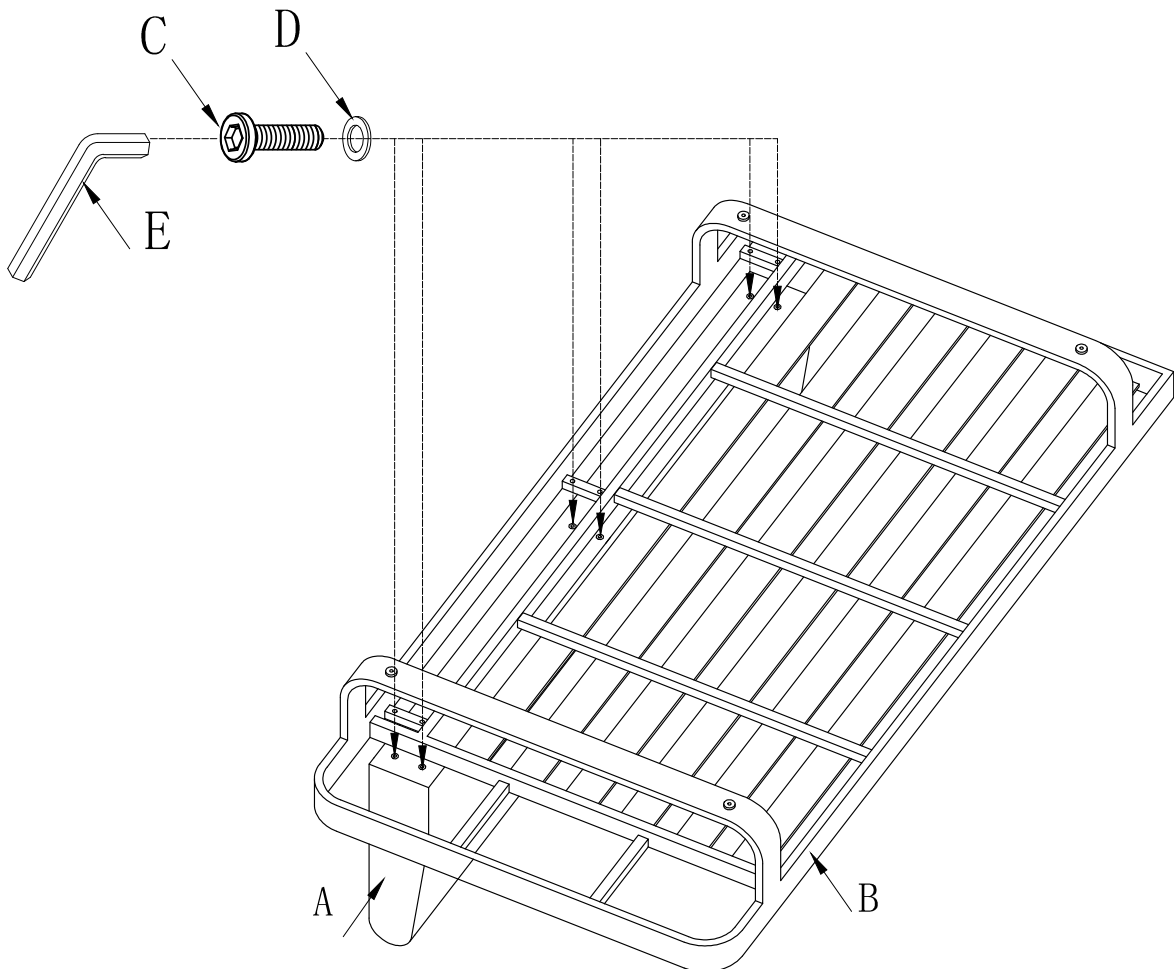
D x6



E x1

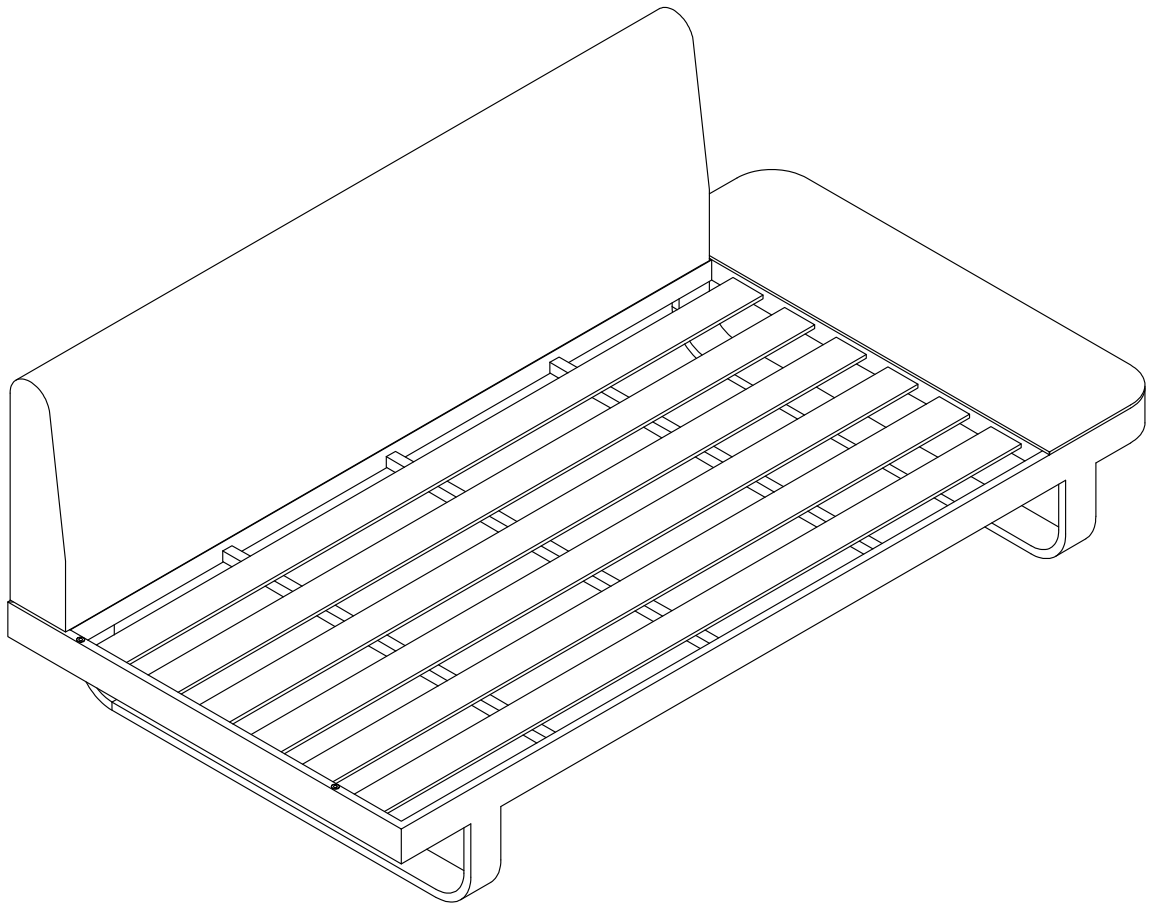


1



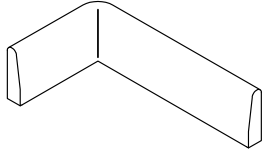
ASSEMBLY OF 2-SEATER (LEFT)

2

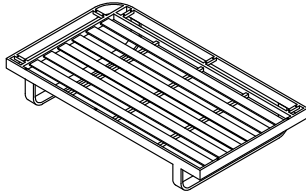


ASSEMBLY OF 2-SEATER (RIGHT)

A x1



B x1



C x10

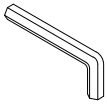


1/4" x40mm

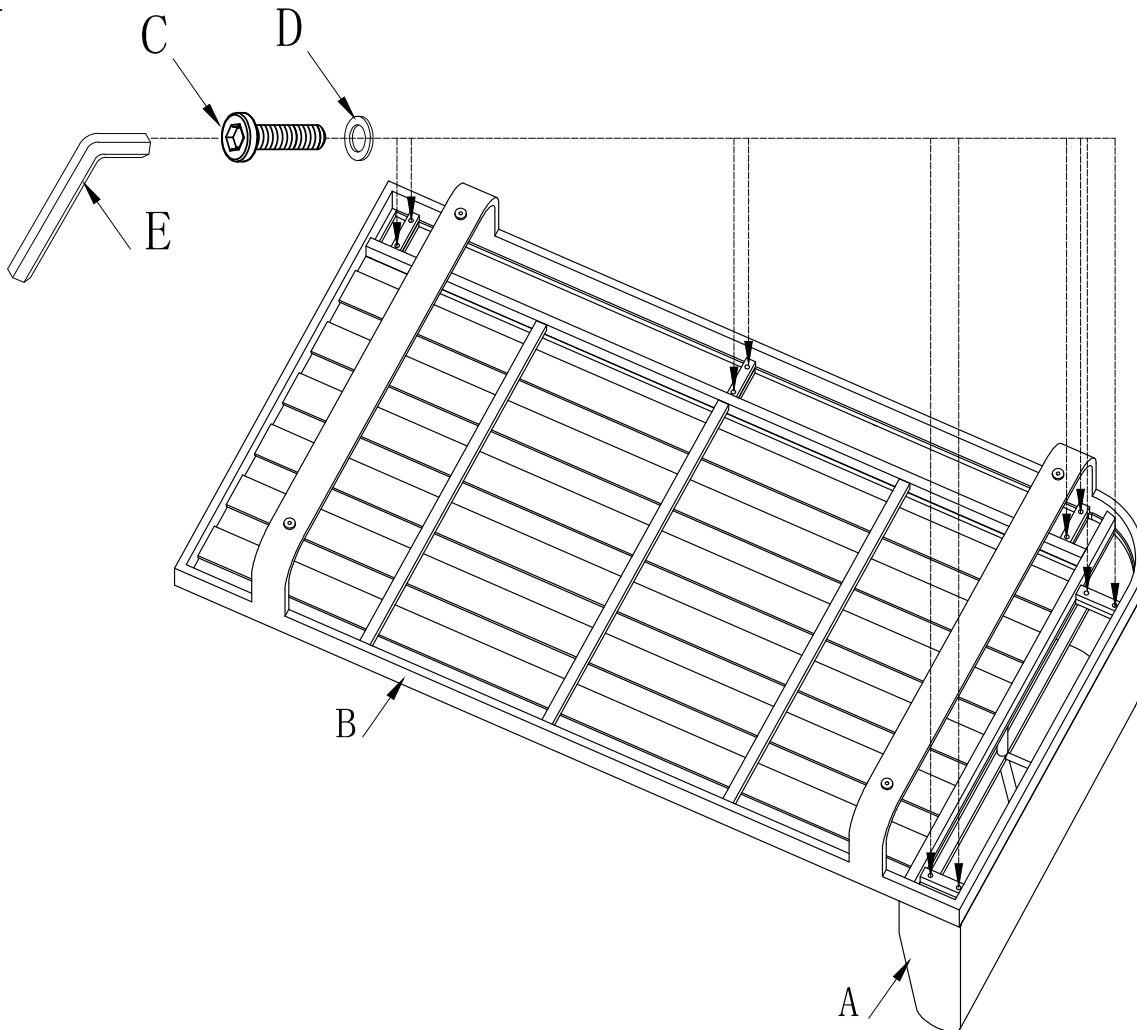
D x10



E x1

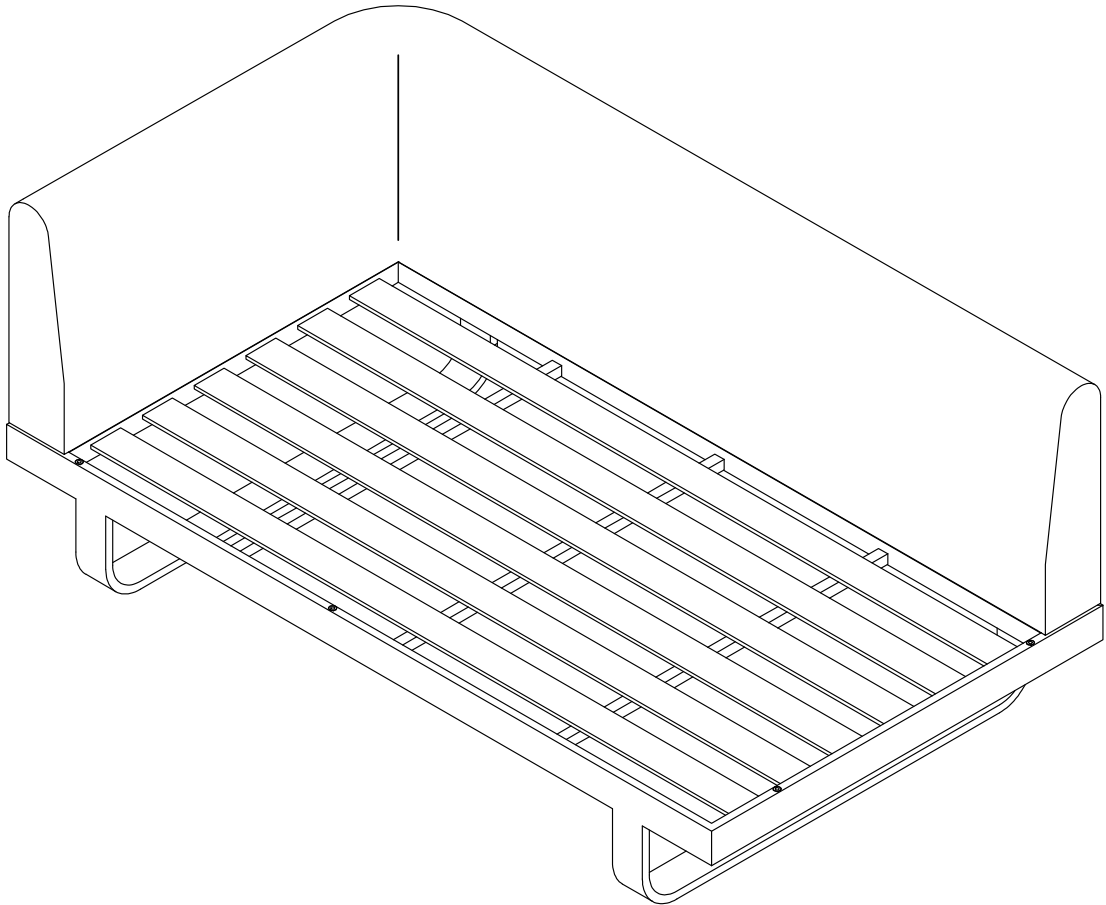


1



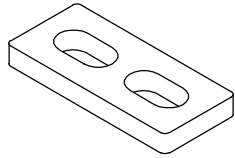
ASSEMBLY OF 2-SEATER (RIGHT)

2

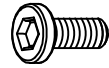


ASSEMBLY OF CONNECTOR PARTS

A x2

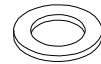


B x4

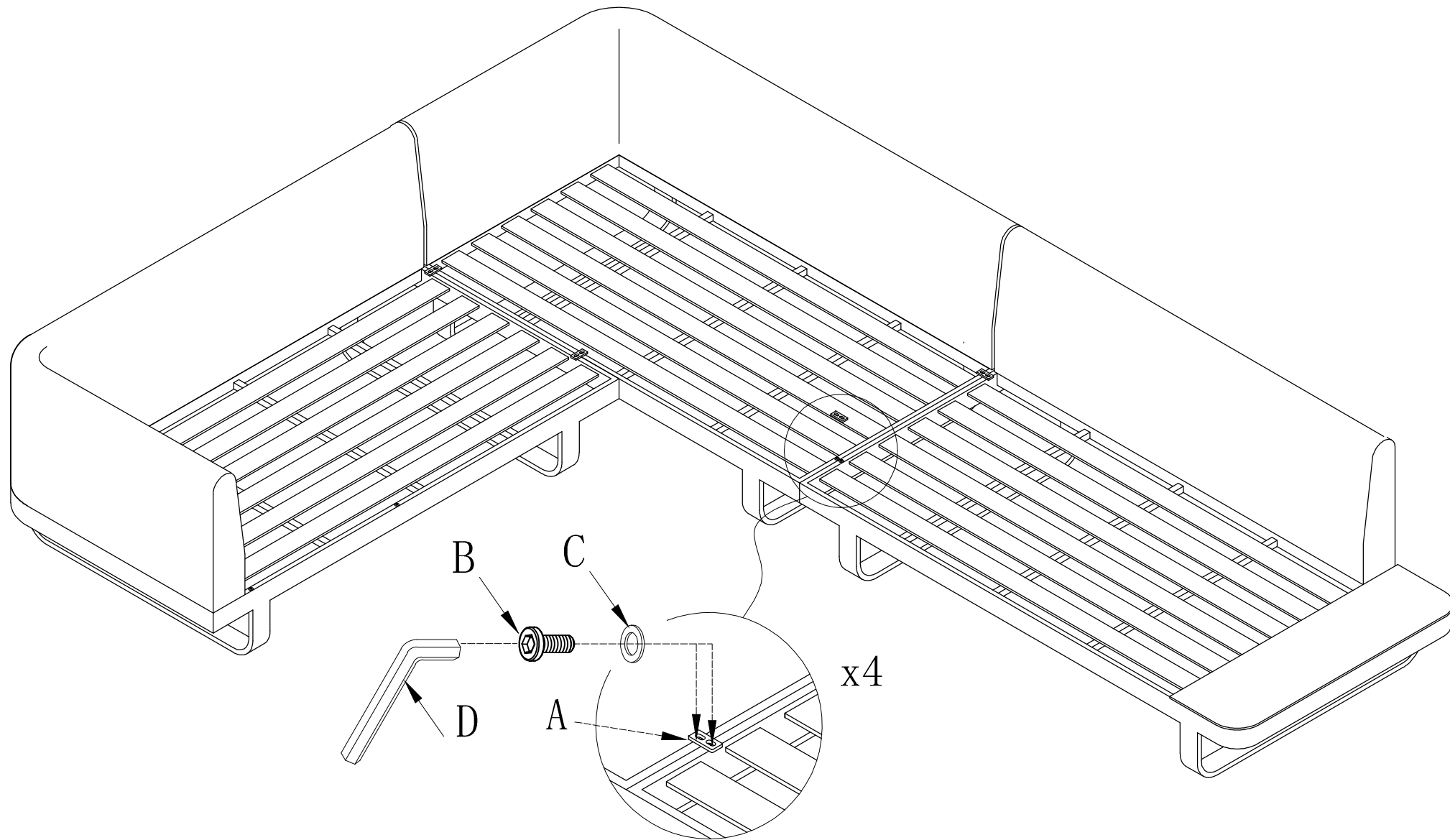
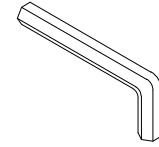


1/4" x20mm

C x4

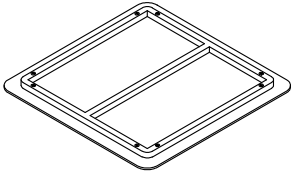


D x1

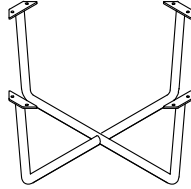


ASSEMBLY OF COFFEE TABLE

A x1



B x1



C x4

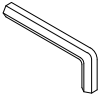


1/4" x 20mm

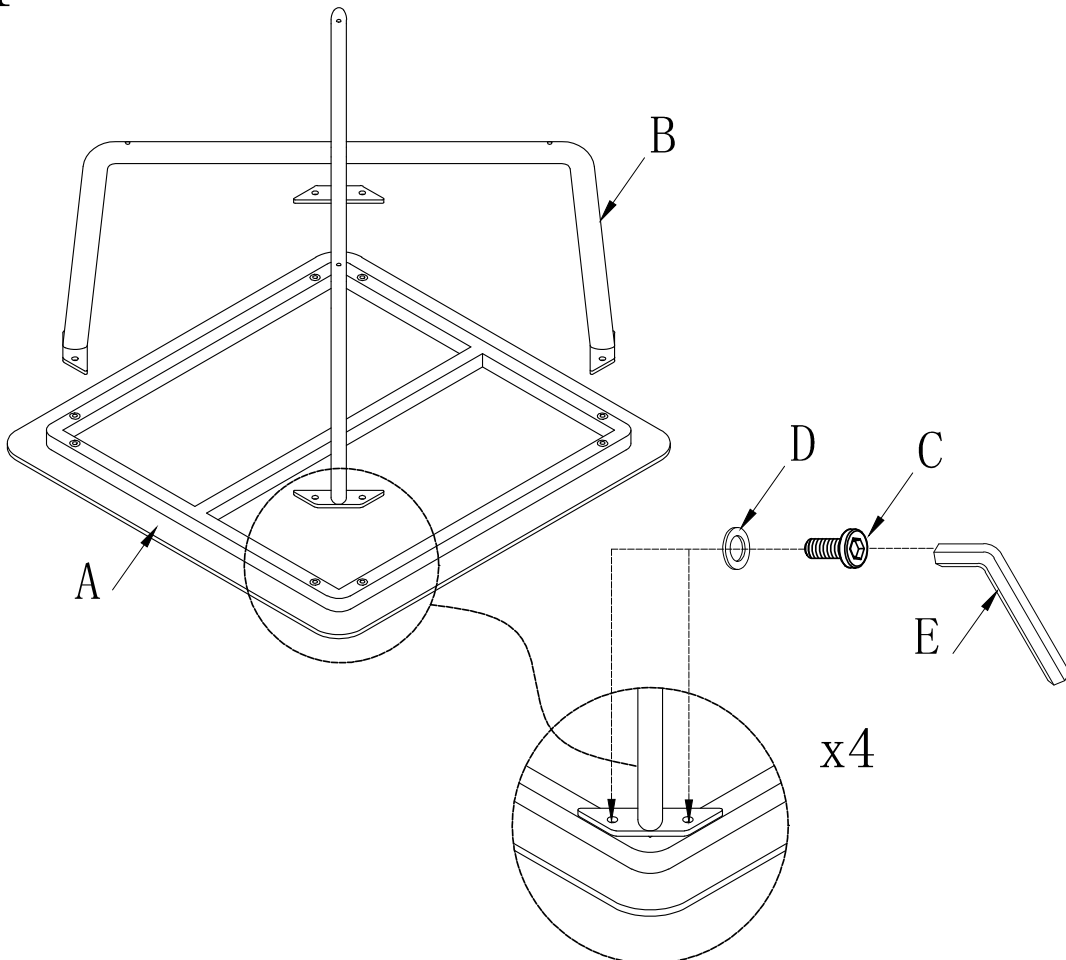
D x4



E x1

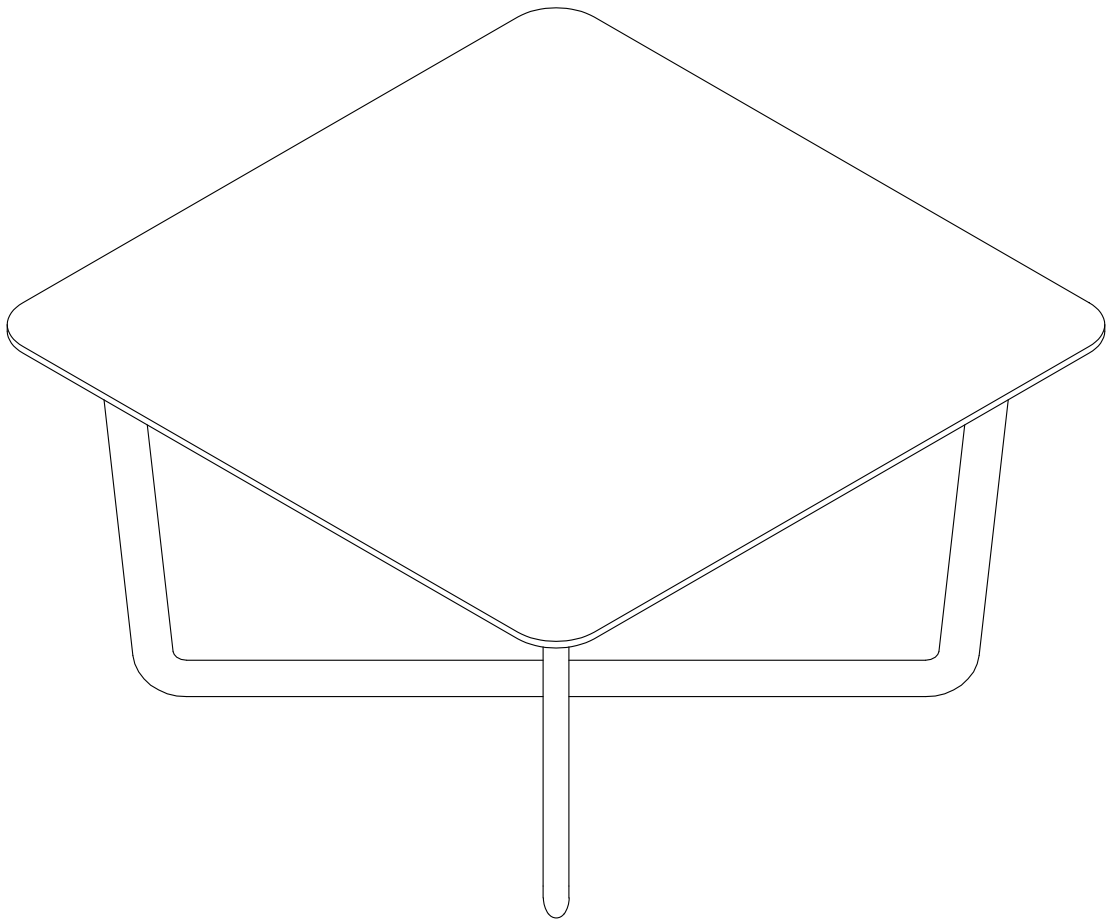


1



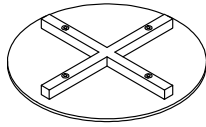
ASSEMBLY OF COFFEE TABLE

2

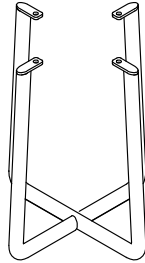


ASSEMBLY OF SIDE TABLE

A x1



B x1



C x4

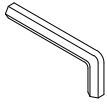


1/4" x20mm

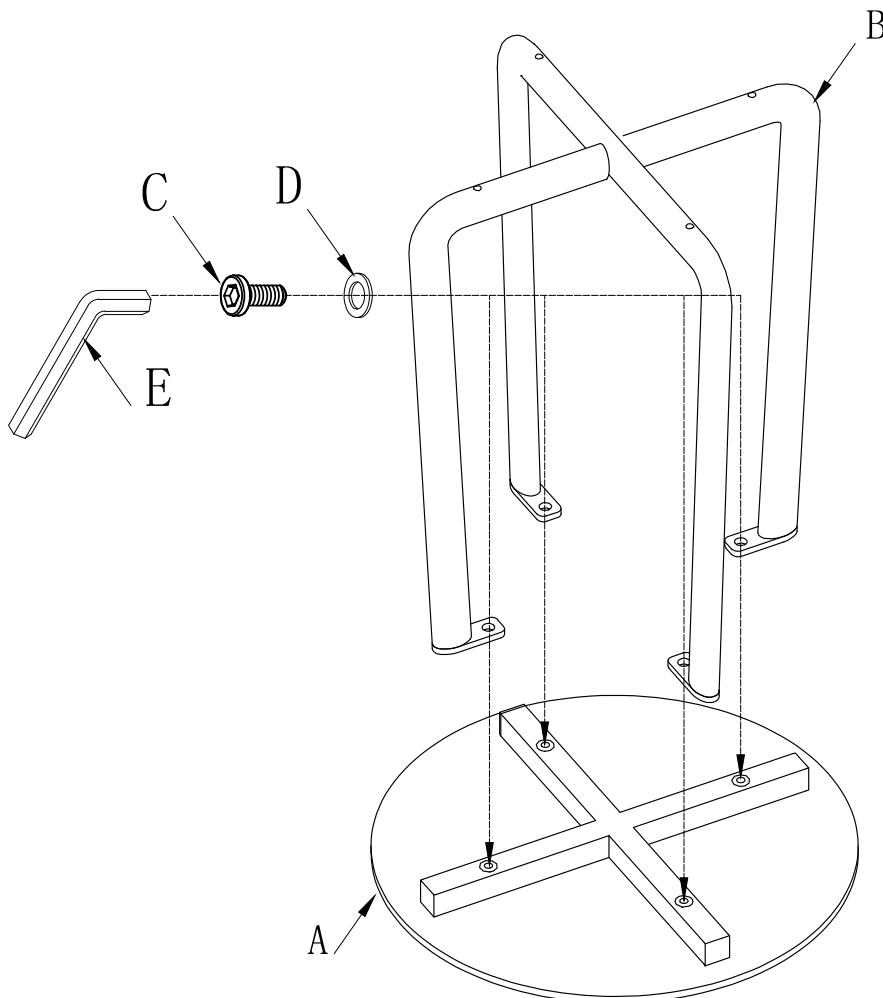
D x4



E x1



1





ASSEMBLY OF SIDE TABLE

2

