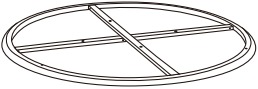
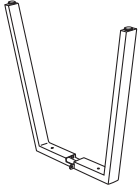
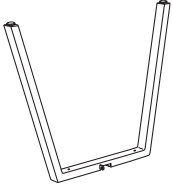
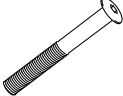



A x1	B x1	C x1	D x4	E x2	F x6	G x6	H x1
			 1/4X50MM	 1/4X20MM	