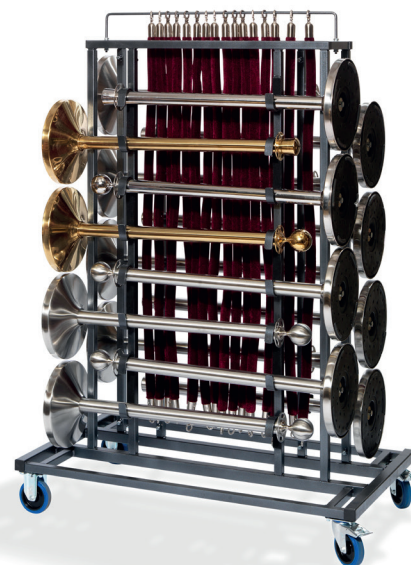


## PRODUCT SPECIFICATION SHEET

# TROLLEY BARRIER POSTS



### PRODUCT SPECIFICATIONS

Product name	Trolley Barrier Posts
Article number	T91000
Colour	Hammerite silver
Usage	Indoor & outdoor
Material	Electrostatic powder coated steel

### CHARACTERISTICS

Length	129 cm
Depth	76 cm
Height	180 cm
Weight	44 kg

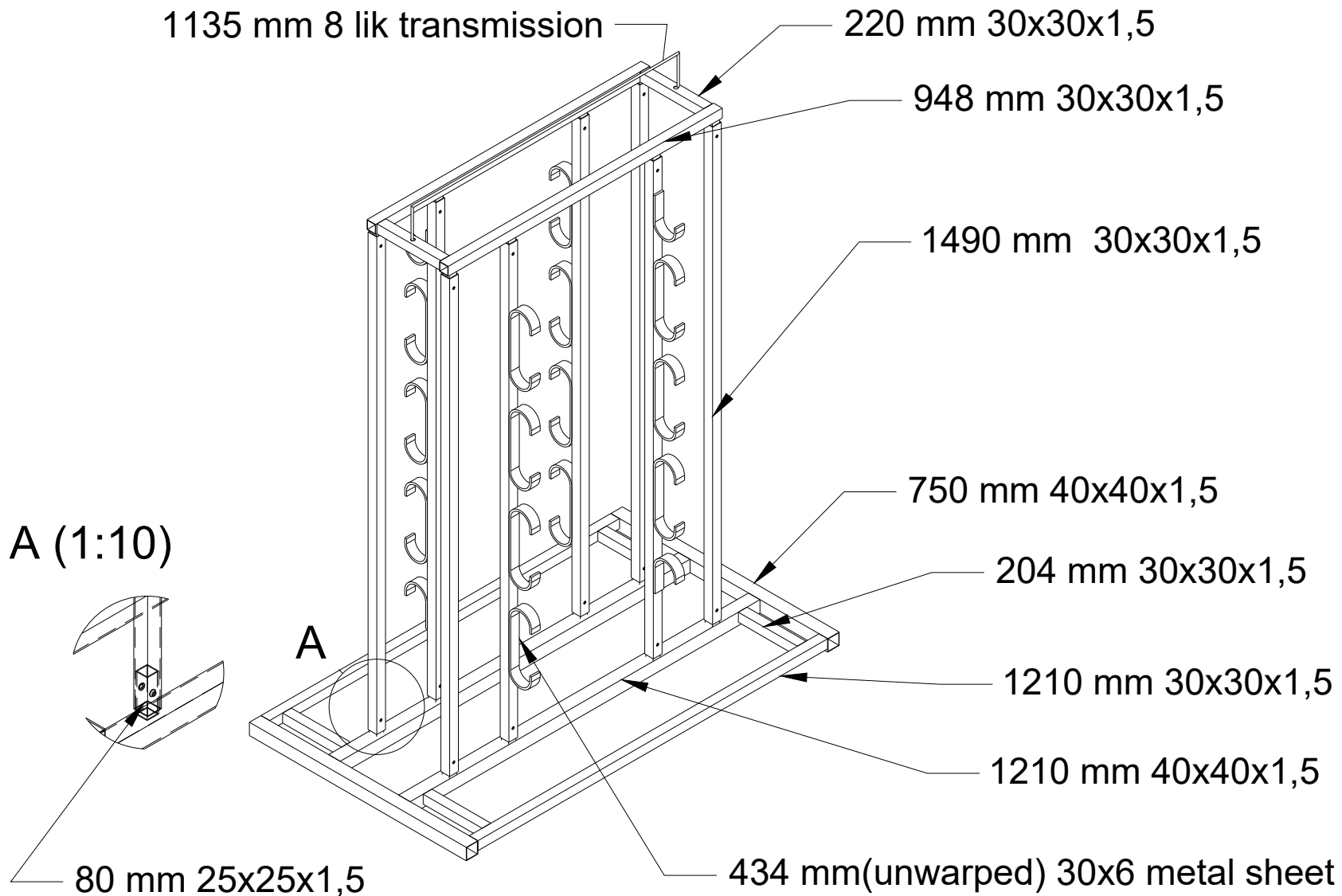
### PACKAGE INFORMATION

Packaging	1 piece in box
Length box	151 cm
Width box	76 cm
Height box	19 cm
Weight box	65 kg
Pieces on pallet	10 pcs

### TOTAL CAPACITY (450 kg)

Barrier posts	5 pcs
Barrier cords	20 pcs

# ESSENTIALS<sup>®</sup>



T91000 - Trolley Elegance Barrier Posts