

# ESSENTIALS®

## PRODUCT SPECIFICATION SHEET

# TROLLEY CROSSBACK / NAPOLEON



### PRODUCT SPECIFICATIONS

**Product name** Trolley Crossback/Napoleon

**Article number** T91900

**Colour** Hammerite silver

**Usage** Indoor & outdoor

**Material** Electrostatic powder coated steel

### CHARACTERISTICS

**Length** 160 cm

**Depth** 83 cm

**Height** 149 cm

**Weight** 39 kg

### PACKAGE INFORMATION

**Packaging** 1 piece in box

**Length** 140 cm

**Width** 80 cm

**Height** 20 cm

**Weight** 40 kg

**Pieces on pallet** 10 pcs

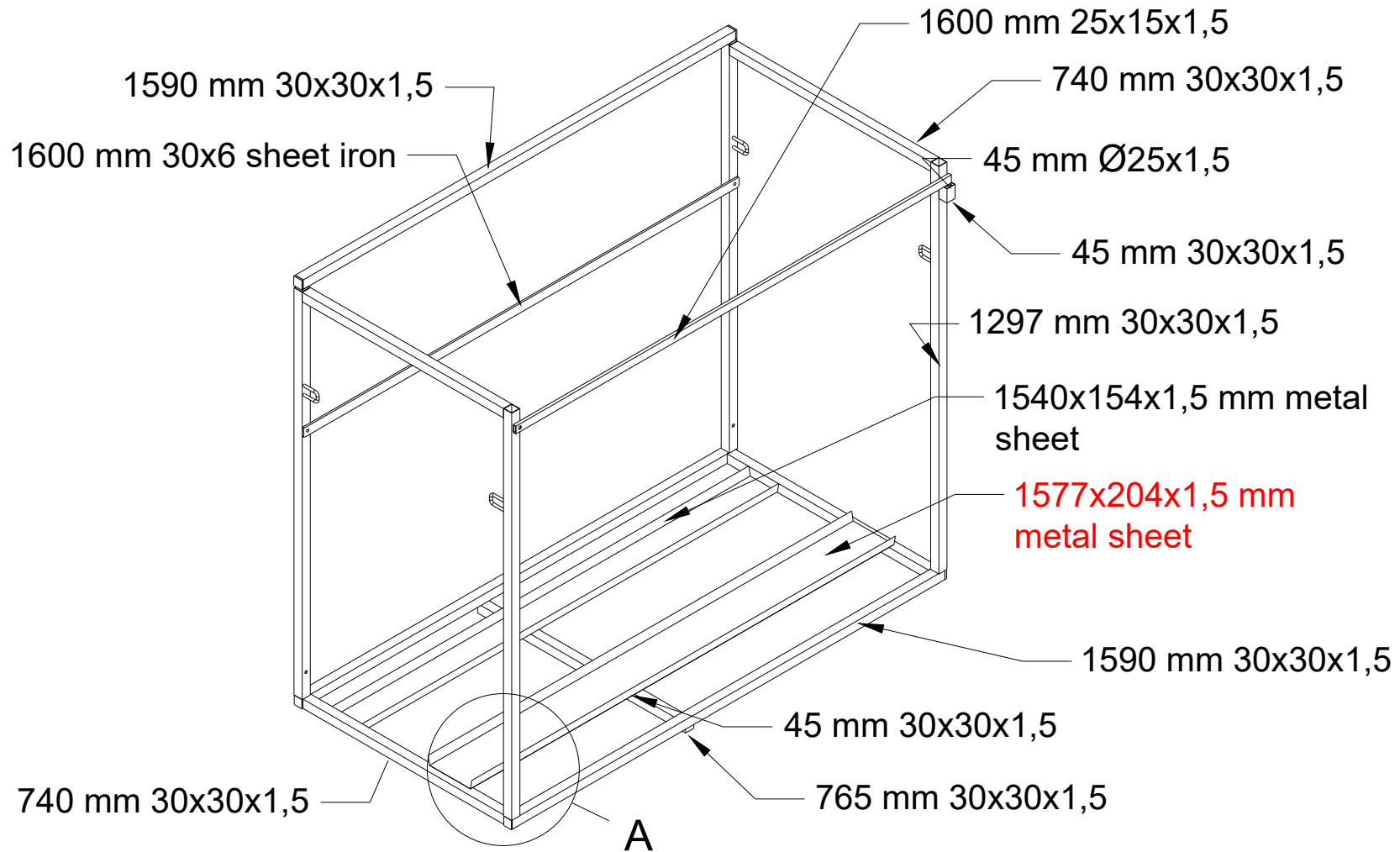
### TOTAL CAPACITY (450 kg)

**Napoleon/Tiffany** 27x

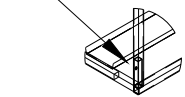
**Crossback** 24x

Please note: The capacity depends on the dimensions of the product.

# ESSENTIALS<sup>®</sup>



135 mm 25x25x1,5



A (1:30)

T91900 - Trolley Crossback/Napoleon/Tiffany